



RS232
COM:



RS232 serial XS402

SOLVIX SA - Switzerland
www.solvix.ch
Article n° : X 600 914 210 (0000)
Type : MAGIX 210 Amp
Power : 6kW
Input Voltage : 3x 400V/50/60
Input Current : 12 Amps
Serial n° : 0230012

RS232 SERIAL LINK - MAGIX MONITOR

Sub-D 9pF/F



Compatible cable :

ARP ref : 103706 (3.0m)

Distrelec ref: **67 27 86** (1.8m) or **67 27 88** (3.0m)

Rotronic (Roline) ref: **11.01.9018** (1.8m) or **11.01.9030** (3.0m)

Farnell ref : **1651022** (1.8m) or **1651025** (1.8m) or **1525913** (2.0m) or **1526118** (3.0m) or
1702772 (3.0m) or **1651024** (3.0m) or **1532803** (3.0m) or **1526119** (5.0m)

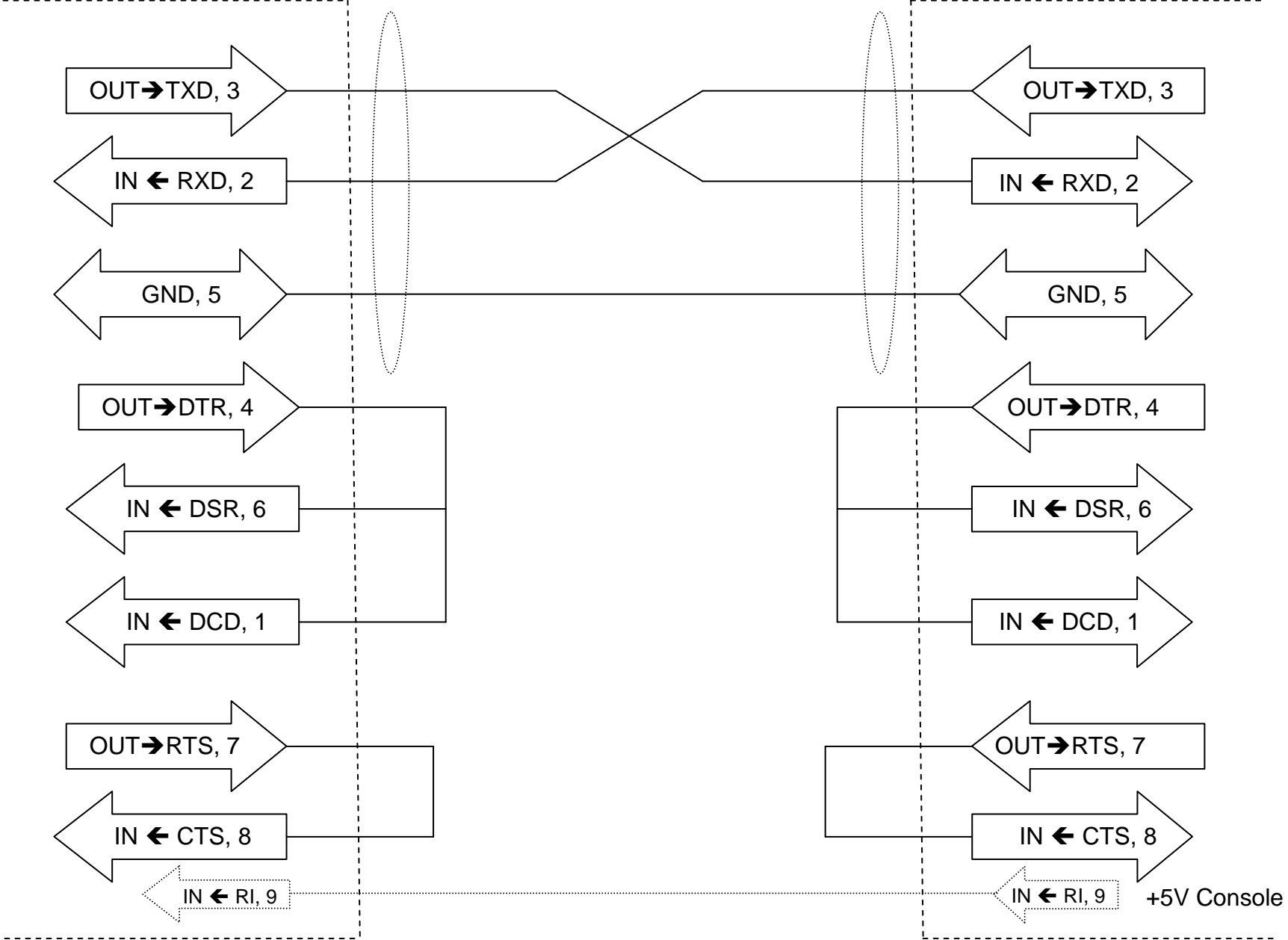
Conrad ref : **97 99 70** (1.8m)

Radio Shack ref: **55010600** (1.8m)

Tyco : **621850-2** (3.0m)

RS232 SERIAL LINK - MAGIX MONITOR
Sub-D 9 pins F/F (home made)

SOLVIX / FrB / 06 Jan. 2009
rs232_cable_v2.ppt



RS232 SERIAL LINK - MAGIX MONITOR
Sub-D 9 pins F/F (distrelec ref: 67 27 88)
AA-339-10 LINK-DATENKABEL

SOLVIX / FrB / 06 Jan. 2009
rs232_cable_v2.ppt

